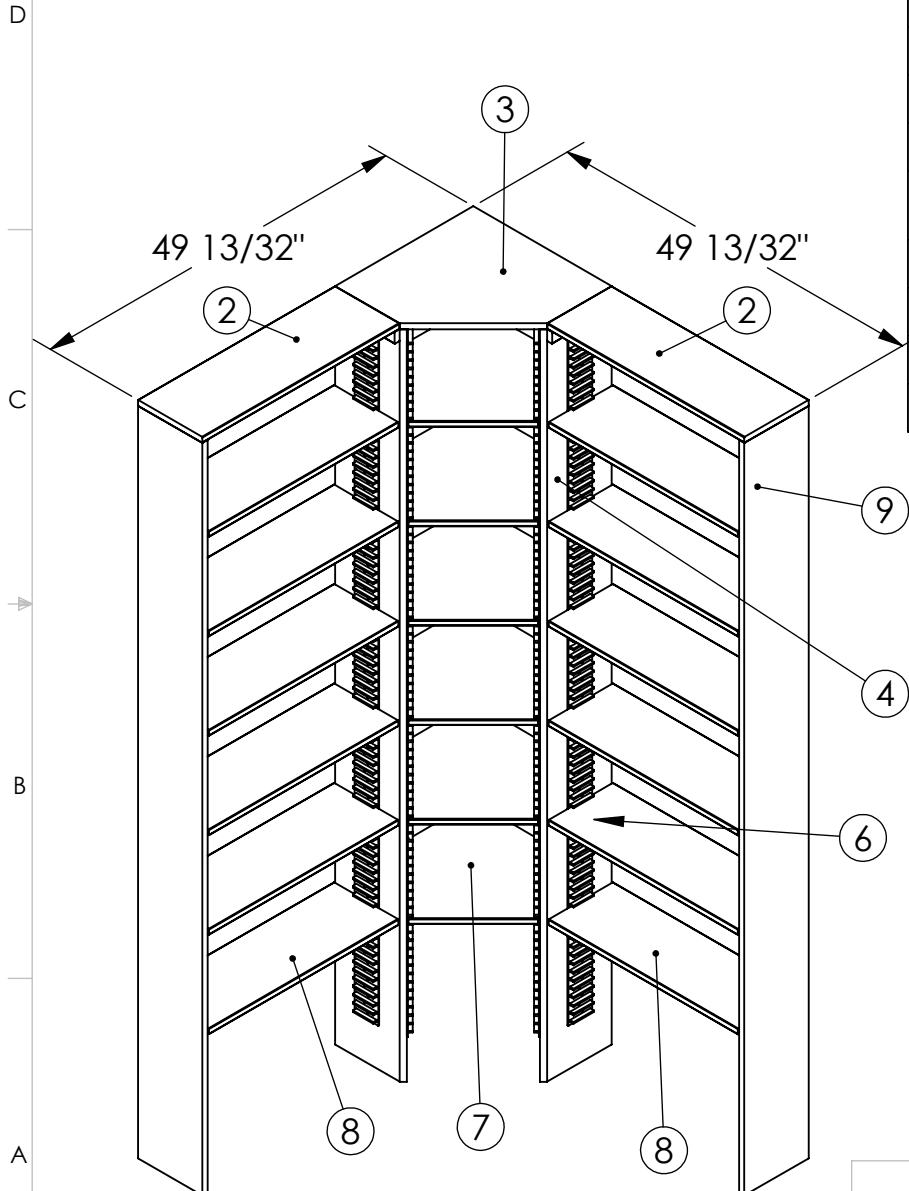


THE INFORMATION CONTAINED IN THIS DRAWING IS THE SOLE PROPERTY OF SEGOVIA SOLUTIONS. ANY REPRODUCTION IN PART OR WHOLE WITHOUT THE WRITTEN PERMISSION OF SEGOVIA SOLUTIONS IS PROHIBITED.

BILL OF MATERIAL

ITEM	PART NUMBER	Default/QTY.
1	Pantry Wall Layout-EXAMPLE	1
2	Horizontal Top Support-EXAMPLE	2
3	Top Corner Support-EXAMPLE-B	1
4	Vertical Tower-EXAMPLE	2
5	Horizontal Top Support Brace-EXAMPLE	2
6	EZSTUDRACK	56
7	Corner Shelf-EXAMPLE	6
8	Shelf-EXAMPLE	12
9	Vertical Wall Support-EXAMPLE	2



FOR REFERENCE ONLY

SCALE 1:2

©2014, SEGOVIA SOLUTIONS

SEGOVIA SOLUTIONS
205 Heritage Trail North
Bellville, Texas 77418

UNLESS OTHERWISE SPECIFIED DIMENSIONS ARE IN INCHES TOLERANCES ARE:			CAD GENERATED DRAWING, DO NOT MANUALLY UPDATE	
FRACTIONS	DECIMALS	ANGLES	APPROVALS	DATE
±1/16	.XX ± .015 .XXX ± .005	±1/2°	DRAWN E. Segovia	07/04/14
MATERIAL			CHECKED	
FINISH			RESP ENG	
DO NOT SCALE DRAWING			MFG ENG	
			QUAL ENG	

Pantry Conversion
Layout for EZStudRack
System

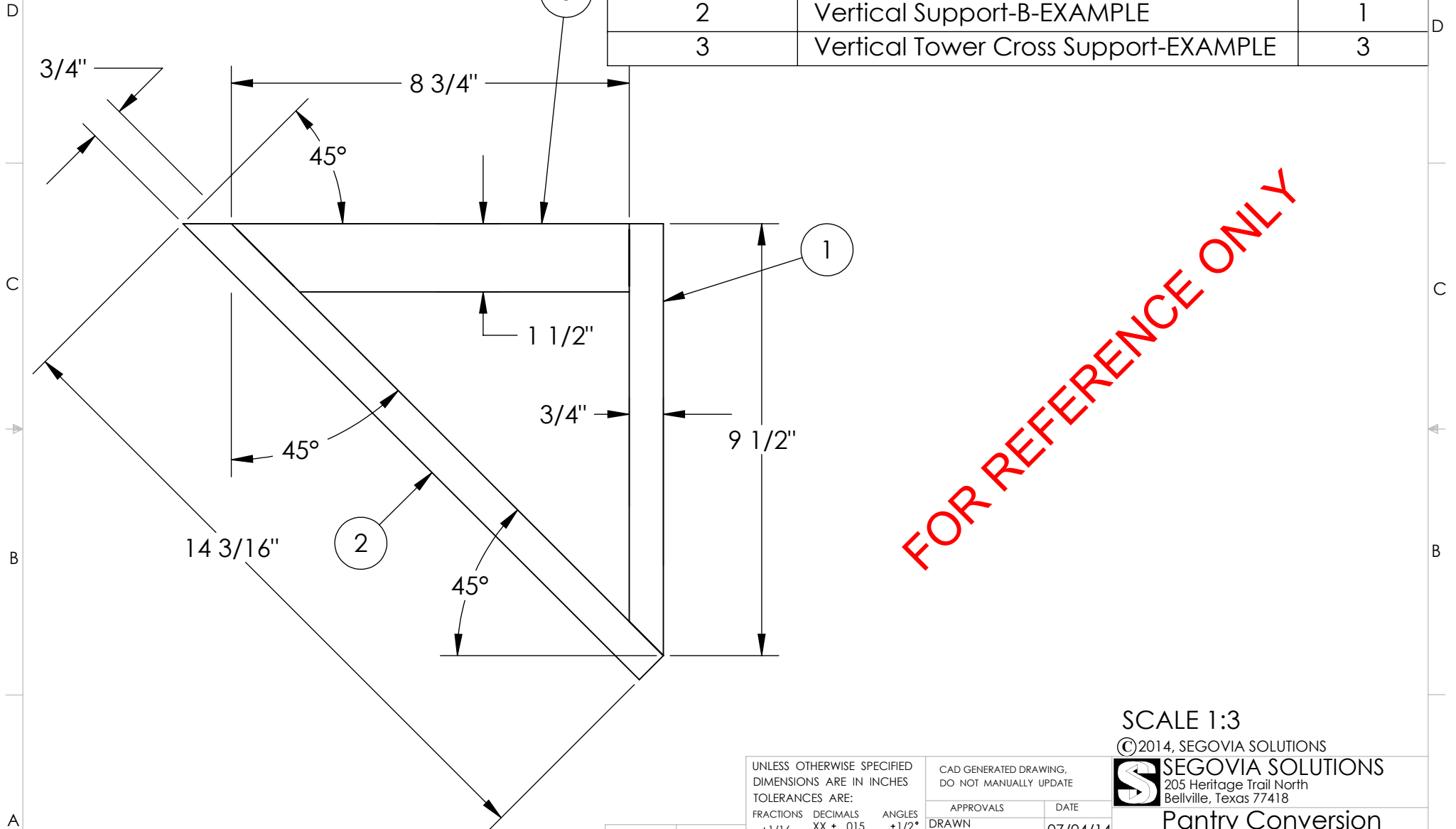
REV.	DESCRIPTION	DATE	APPROVED	NEXT ASSY	USED ON
	REVISIONS				APPLICATION

SIZE A	DWG. NO. CORNER-PANTRY-EXAMPLE	REV.
SCALE	CAD FILE:	SHEET 1 OF 6

THE INFORMATION CONTAINED IN THIS DRAWING IS THE SOLE PROPERTY OF SEGOVIA SOLUTIONS. ANY REPRODUCTION IN PART OR WHOLE WITHOUT THE WRITTEN PERMISSION OF SEGOVIA SOLUTIONS IS PROHIBITED.

BILL OF MATERIAL

ITEM	PART NUMBER	QTY.
1	Vertical Support-A-EXAMPLE	1
2	Vertical Support-B-EXAMPLE	1
3	Vertical Tower Cross Support-EXAMPLE	3



FOR REFERENCE ONLY

SCALE 1:3

©2014, SEGOVIA SOLUTIONS

SEGOVIA SOLUTIONS
 205 Heritage Trail North
 Bellville, Texas 77418

**Pantry Conversion
 Layout for EZStudRack
 System
 Vertical Tower Details**

UNLESS OTHERWISE SPECIFIED
 DIMENSIONS ARE IN INCHES
 TOLERANCES ARE:

FRACTIONS	DECIMALS	ANGLES
±1/16	.XX ± .015	±1/2°
	.XXX ± .005	

CAD GENERATED DRAWING,
 DO NOT MANUALLY UPDATE

APPROVALS	DATE
DRAWN E. Segovia	07/04/14
CHECKED	

MATERIAL

RESP ENG

FINISH

MFG ENG

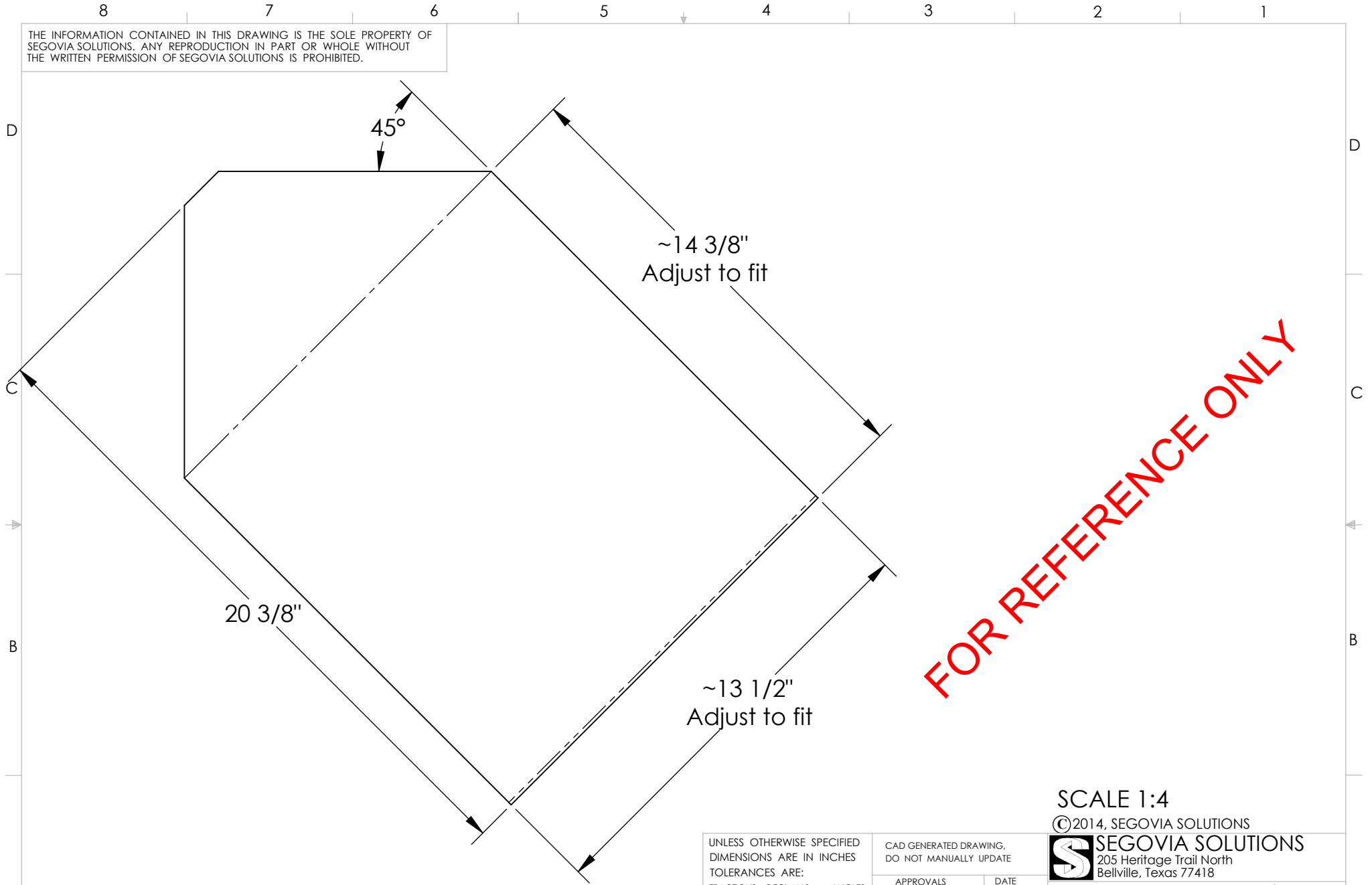
DO NOT SCALE DRAWING

QUAL ENG

SIZE A	DWG. NO. CORNER-PANTRY-EXAMPLE	REV.
SCALE	CAD FILE:	SHEET 2 OF 6

REV.	DESCRIPTION	DATE	APPROVED	NEXT ASSY	USED ON
	REVISIONS				

THE INFORMATION CONTAINED IN THIS DRAWING IS THE SOLE PROPERTY OF SEGOVIA SOLUTIONS. ANY REPRODUCTION IN PART OR WHOLE WITHOUT THE WRITTEN PERMISSION OF SEGOVIA SOLUTIONS IS PROHIBITED.



FOR REFERENCE ONLY

SCALE 1:4

©2014, SEGOVIA SOLUTIONS

S SEGOVIA SOLUTIONS
205 Heritage Trail North
Bellville, Texas 77418

Pantry Conversion
Layout for EZStudRack
System
Corner Shelf Details

UNLESS OTHERWISE SPECIFIED
DIMENSIONS ARE IN INCHES
TOLERANCES ARE:
FRACTIONS .XX ± .015
DECIMALS .XXX ± .005
ANGLES ± 1/2°

CAD GENERATED DRAWING,
DO NOT MANUALLY UPDATE

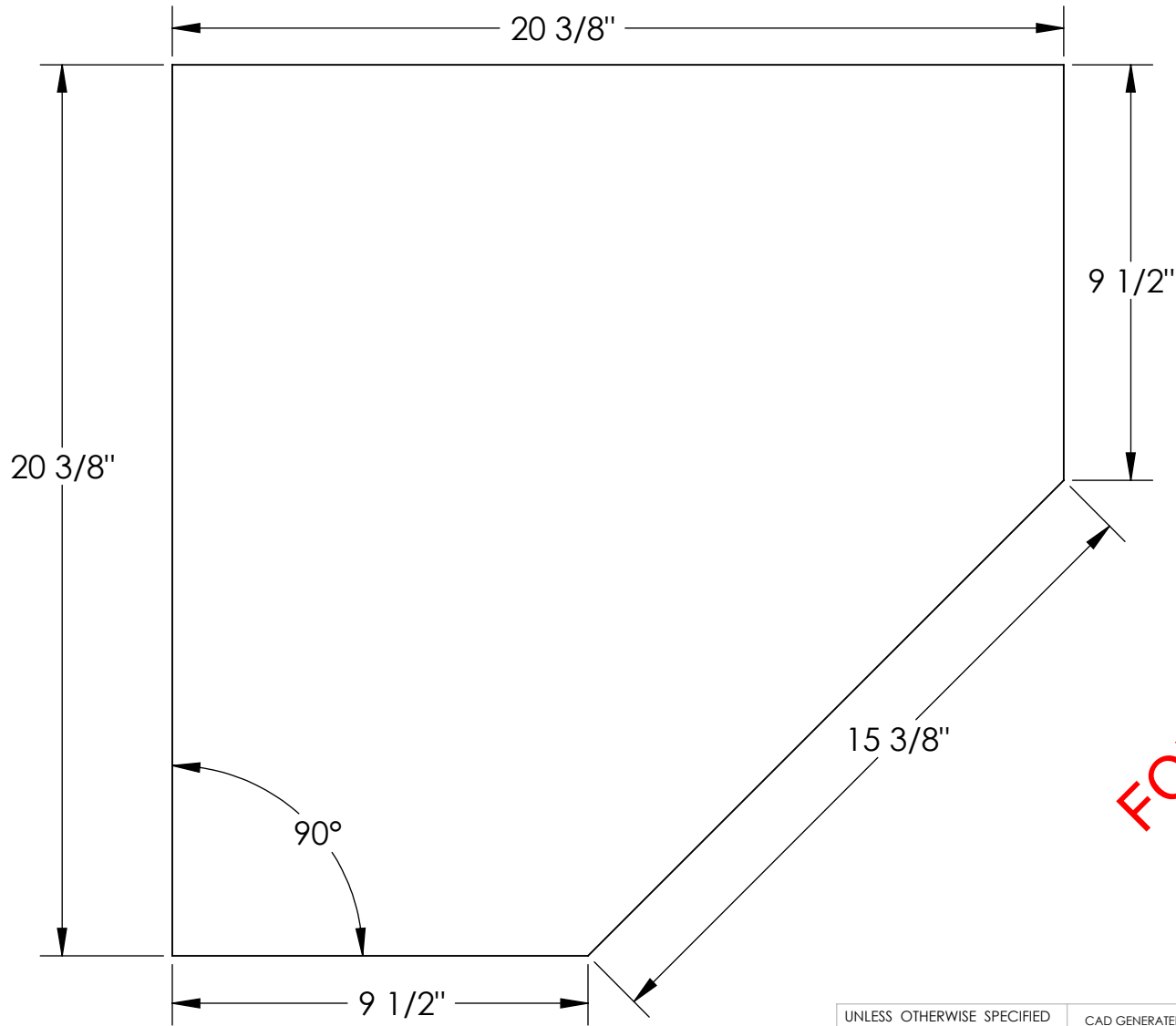
APPROVALS	DATE
DRAWN E. Segovia	07/04/14
CHECKED	
RESP ENG	
MFG ENG	
QUAL ENG	

SIZE A	DWG. NO. CORNER-PANTRY-EXAMPLE	REV.
SCALE	CAD FILE:	SHEET 3 OF 6

REV.	DESCRIPTION	DATE	APPROVED	NEXT ASSY	USED ON
	REVISIONS				

DO NOT SCALE DRAWING

THE INFORMATION CONTAINED IN THIS DRAWING IS THE SOLE PROPERTY OF SEGOVIA SOLUTIONS. ANY REPRODUCTION IN PART OR WHOLE WITHOUT THE WRITTEN PERMISSION OF SEGOVIA SOLUTIONS IS PROHIBITED.



FOR REFERENCE ONLY

SCALE 1:4

©2014, SEGOVIA SOLUTIONS

S SEGOVIA SOLUTIONS
205 Heritage Trail North
Bellville, Texas 77418

Pantry Conversion
Layout for EZStudRack
System
Top Corner Support Details

UNLESS OTHERWISE SPECIFIED
DIMENSIONS ARE IN INCHES
TOLERANCES ARE:
FRACTIONS DECIMALS ANGLES
±1/16 .XX ± .015 ±1/2°
.XXX ± .005

CAD GENERATED DRAWING, DO NOT MANUALLY UPDATE	
APPROVALS	DATE
DRAWN E. Segovia	07/04/14
CHECKED	
RESP ENG	
MFG ENG	
QUAL ENG	

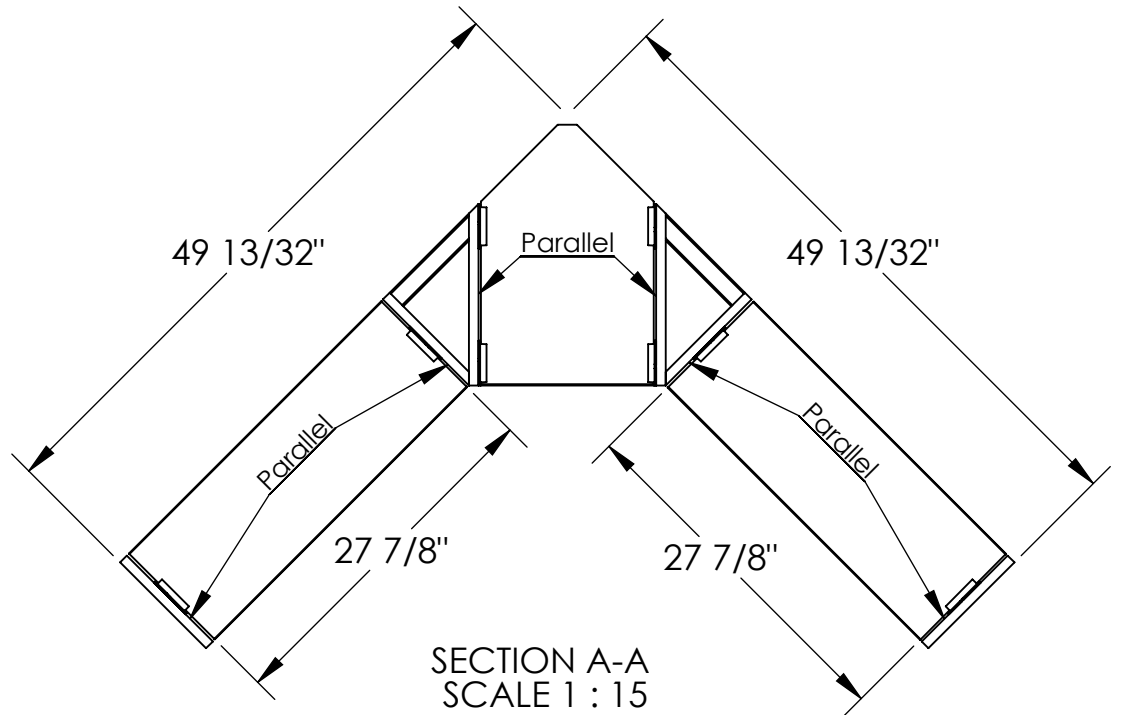
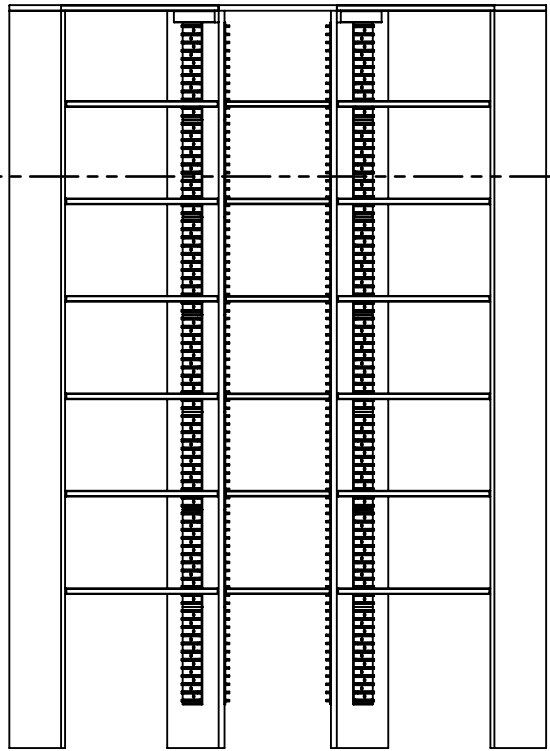
REV.	DESCRIPTION	DATE	APPROVED	NEXT ASSY	USED ON
	REVISIONS				

DO NOT SCALE DRAWING

SIZE A	DWG. NO. CORNER-PANTRY-EXAMPLE	REV.
SCALE	CAD FILE:	SHEET 4 OF 6

THE INFORMATION CONTAINED IN THIS DRAWING IS THE SOLE PROPERTY OF SEGOVIA SOLUTIONS. ANY REPRODUCTION IN PART OR WHOLE WITHOUT THE WRITTEN PERMISSION OF SEGOVIA SOLUTIONS IS PROHIBITED.

D
C
B
A



SECTION A-A
SCALE 1 : 15

FOR REFERENCE ONLY

SCALE 1:25

©2014, SEGOVIA SOLUTIONS

SEGOVIA SOLUTIONS
205 Heritage Trail North
Bellville, Texas 77418

**Pantry Conversion
Layout for EZStudRack
System
Cross Section**

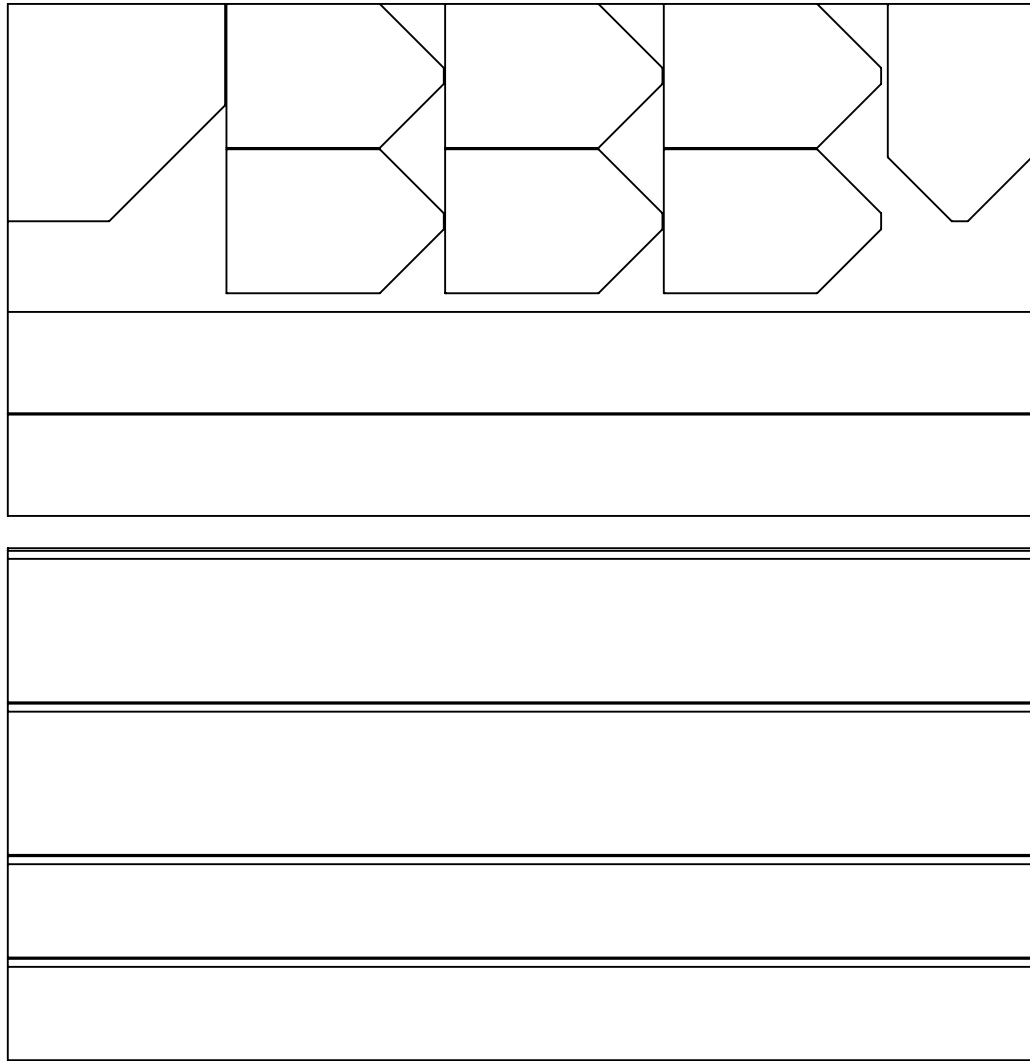
UNLESS OTHERWISE SPECIFIED DIMENSIONS ARE IN INCHES TOLERANCES ARE:			CAD GENERATED DRAWING, DO NOT MANUALLY UPDATE	
FRACTIONS ±1/16	DECIMALS .XX ± .015 .XXX ± .005	ANGLES ±1/2°	APPROVALS DRAWN E. Segovia CHECKED	DATE 07/04/14
MATERIAL	RESP ENG			
FINISH	MFG ENG			
DO NOT SCALE DRAWING			QUAL ENG	

REV.	DESCRIPTION	DATE	APPROVED	NEXT ASSY	USED ON
	REVISIONS				

SIZE A	DWG. NO. CORNER-PANTRY-EXAMPLE	REV.
SCALE	CAD FILE:	SHEET 5 OF 6

8 7 6 5 4 3 2 1

THE INFORMATION CONTAINED IN THIS DRAWING IS THE SOLE PROPERTY OF SEGOVIA SOLUTIONS. ANY REPRODUCTION IN PART OR WHOLE WITHOUT THE WRITTEN PERMISSION OF SEGOVIA SOLUTIONS IS PROHIBITED.



FOR REFERENCE ONLY

SCALE 1:18

©2014, SEGOVIA SOLUTIONS

SEGOVIA SOLUTIONS
205 Heritage Trail North
Bellville, Texas 77418

**Pantry Conversion
Layout for EZStudRack
System
Cut Sheet**

UNLESS OTHERWISE SPECIFIED
DIMENSIONS ARE IN INCHES
TOLERANCES ARE:
FRACTIONS .XX ± .015
DECIMALS .XXX ± .005
ANGLES ± 1/2°

CAD GENERATED DRAWING, DO NOT MANUALLY UPDATE	
APPROVALS	DATE
DRAWN E. Segovia	07/04/14
CHECKED	
RESP ENG	
MFG ENG	
QUAL ENG	

REV.	DESCRIPTION	DATE	APPROVED	NEXT ASSY	USED ON
	REVISIONS				
				APPLICATION	

DO NOT SCALE DRAWING

SIZE A	DWG. NO. CORNER-PANTRY-EXAMPLE	REV.
SCALE	CAD FILE:	SHEET 6 OF 6