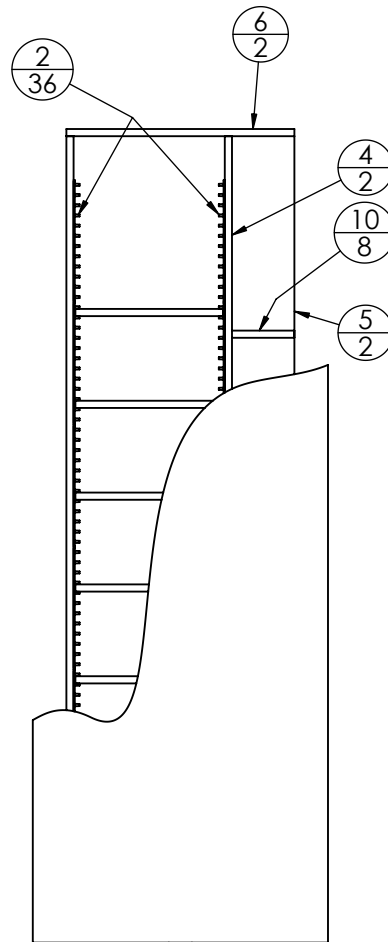
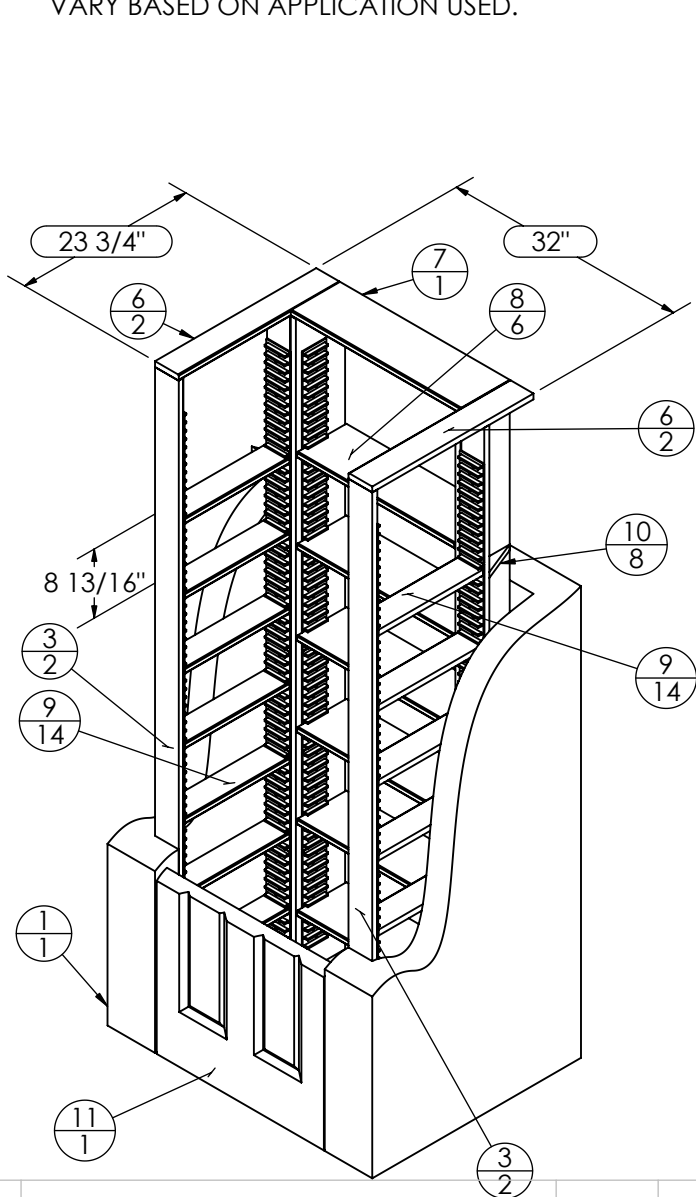


THE INFORMATION CONTAINED IN THIS DRAWING IS THE SOLE PROPERTY OF SEGOVIA SOLUTIONS. ANY REPRODUCTION IN PART OR WHOLE WITHOUT THE WRITTEN PERMISSION OF SEGOVIA SOLUTIONS IS PROHIBITED.

NOTES:

- DRAWING FOR REFERENCE ONLY. DIMENSIONS VARY BASED ON APPLICATION USED.



BILL OF MATERIAL

ITEM	QTY	PART NUMBER	Material	CutSize
1	1	Existing Area		
2	36	EZStudRack	ezstudrack.com	
3	2	V-SUPPORT-01	1x4 (3/4"x3 1/2")	84"
4	2	V-SUPPORT-02	1x4 (3/4"x3 1/2")	84"
5	2	V-SUPPORT-03	1x8(3/4"x7 1/4")	84"
6	2	TOP-SHELF-01	1x4 (3/4"x3 1/2")	23 3/4"
7	1	TOP-SHELF-02	1x8 (3/4"x7 1/4")	25"
8	6	Back Shelf	1x8 (3/4"x7 1/4")	23 1/8"
9	14	Side Shelf	1x4 (3/4"x3 1/2")	15 3/8"
10	8	Corner Support-02	3/4"x2 5/8"x6 1/2"	
11	1	Existing Door		

CONFIDENTIAL

SCALE 1:20

©2007, SEGOVIA SOLUTIONS

UNLESS OTHERWISE SPECIFIED  
DIMENSIONS ARE IN INCHES  
TOLERANCES ARE:  
FRACTIONS .XX ± .015  
DECIMALS .XXX ± .005  
ANGLES ±1/2°

CAD GENERATED DRAWING,  
DO NOT MANUALLY UPDATE

**SEGOVIA SOLUTIONS**  
205 Heritage Trail North  
Bellville, Texas 77418

APPROVALS	DATE
DRAWN E. Segovia	07/06/09
CHECKED	

SEAY PANTRY

REV.	DESCRIPTION	DATE	APPROVED	NEXT ASSY	USED ON
	REVISIONS				APPLICATION

MATERIAL	RESP ENG
FINISH	MFG ENG
DO NOT SCALE DRAWING	QUAL ENG

SIZE A	DWG. NO. Seay Pantry	REV.
SCALE	CAD FILE:	SHEET 1 OF 9

THE INFORMATION CONTAINED IN THIS DRAWING IS THE SOLE PROPERTY OF SEGOVIA SOLUTIONS. ANY REPRODUCTION IN PART OR WHOLE WITHOUT THE WRITTEN PERMISSION OF SEGOVIA SOLUTIONS IS PROHIBITED.

**BILL OF MATERIAL**

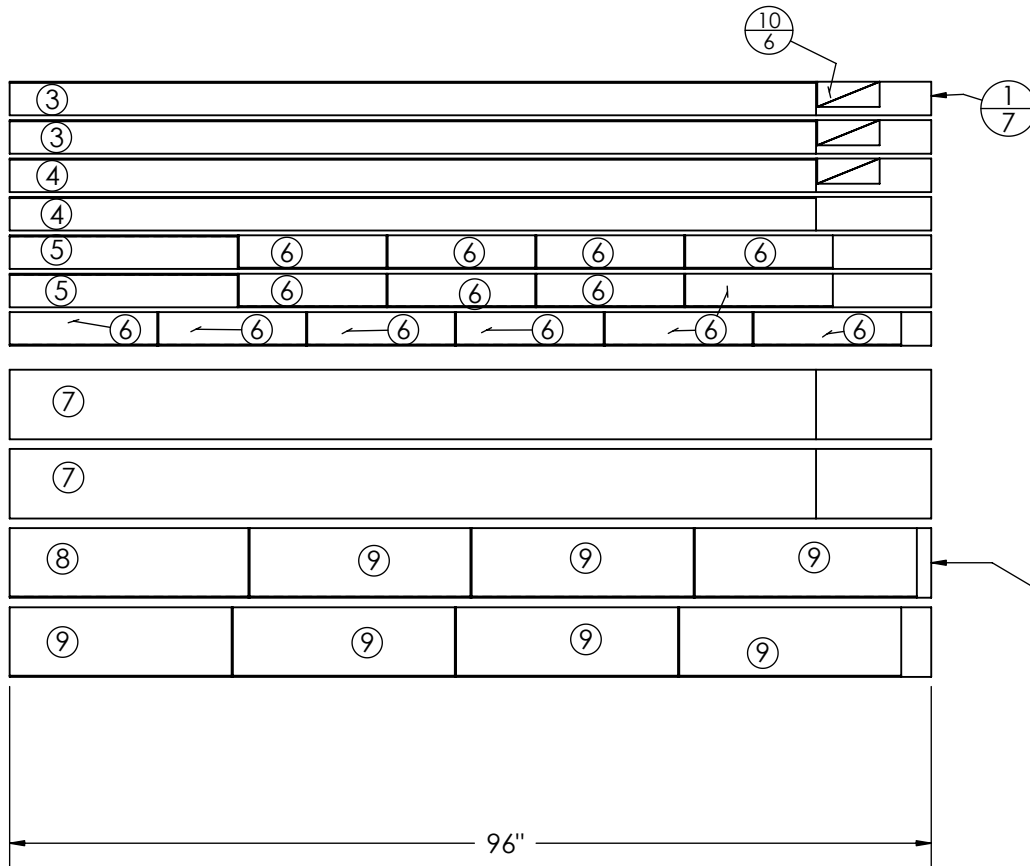
ITEM	QTY.	PART NUMBER	Material	CutSize
1	7	1x4x96 STOCK	1x4x8'	PURCHASE
2	4	1x8x96 STOCK	1x8x8'	PURCHASE
3	2	V-SUPPORT-01	1x4 (3/4"x3 1/2")	84"
4	2	V-SUPPORT-02	1x4 (3/4"x3 1/2")	84"
5	2	TOP-SHELF-01	1x4 (3/4"x3 1/2")	23 3/4"
6	14	Side Shelf	1x4 (3/4"x3 1/2")	15 3/8"
7	2	V-SUPPORT-03	1x8(3/4"x7 1/4")	84"
8	1	TOP-SHELF-02	1x8 (3/4"x7 1/4")	25"
9	7	Back Shelf	1x8 (3/4"x7 1/4")	23 1/8"
10	6	Corner Support-02	3/4"x2 5/8"x6 1/2"	

D

C

B

A



**NOTES:**

- DRAWING FOR REFERENCE ONLY. DIMENSIONS VARY BASED ON APPLICATION USED.

CONFIDENTIAL

SCALE 1:20

©2007, SEGOVIA SOLUTIONS

UNLESS OTHERWISE SPECIFIED  
DIMENSIONS ARE IN INCHES  
TOLERANCES ARE:  
FRACTIONS DECIMALS ANGLES  
±1/16 .XX ± .015 ±1/2°  
.XXX ± .005

CAD GENERATED DRAWING,  
DO NOT MANUALLY UPDATE

**SEGOVIA SOLUTIONS**  
205 Heritage Trail North  
Bellville, Texas 77418

APPROVALS	DATE
DRAWN E. Segovia	07/06/09
CHECKED	

**CUT LIST/ PURCHASE MATERIAL**

REV.	DESCRIPTION	DATE	APPROVED	NEXT ASSY	USED ON
	REVISIONS				APPLICATION

MATERIAL  
FINISH  
DO NOT SCALE DRAWING

RESP ENG	
MFG ENG	
QUAL ENG	

SIZE A	DWG. NO. Seay Pantry	REV.
SCALE	CAD FILE:	SHEET 2 OF 9