

E-Z Stud Rack on Drywall Installation Framed Wall Kit (FWK)

EZSR-FWK Includes:

(30) EZStudRacks	(120) #6x1" Wood Screws
(6) 5/16" x 6" RSS Patented Structural Screw	(1) Star Bit for RSS Screw
(16) R4 #9 x 3 1/8" Self Drilling Screw	(1) Star Bit for R4 Screw
(12) Spacers/Shelf Locks	(1) Installation Instructions

Suggested Material: (6) 2x4x96 (4) 1x4x96 (2) 1x6x96 1x8x96 (Optional)

1. Build frame using 2x4's to fit desired area as shown in Fig.1

TIP- Measure your items to determine ideal shelf width. Add 1-1/4" to your spacing to compensate for the EZStudRack tabs.

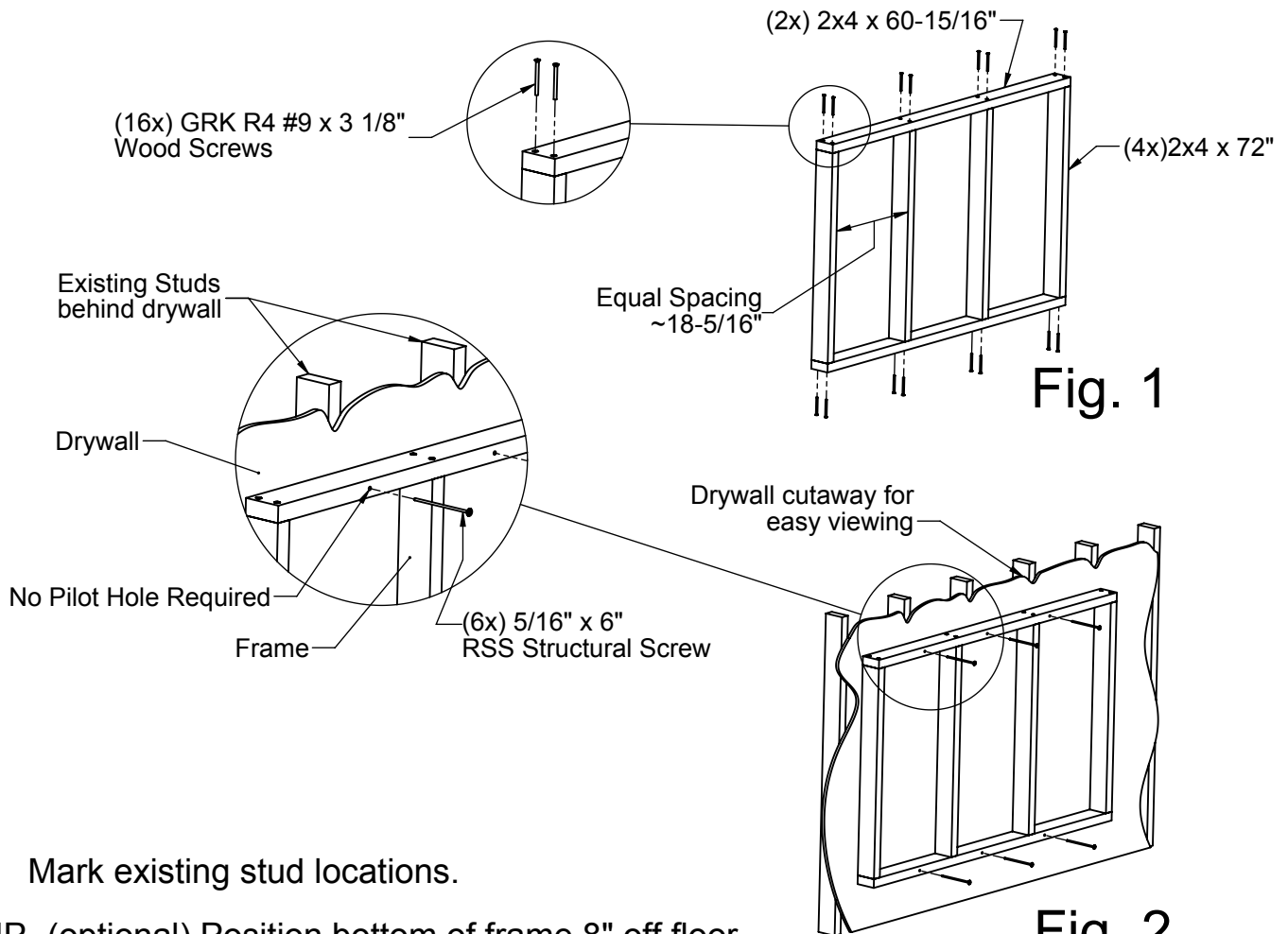


Fig. 1

Fig. 2

2. Mark existing stud locations.

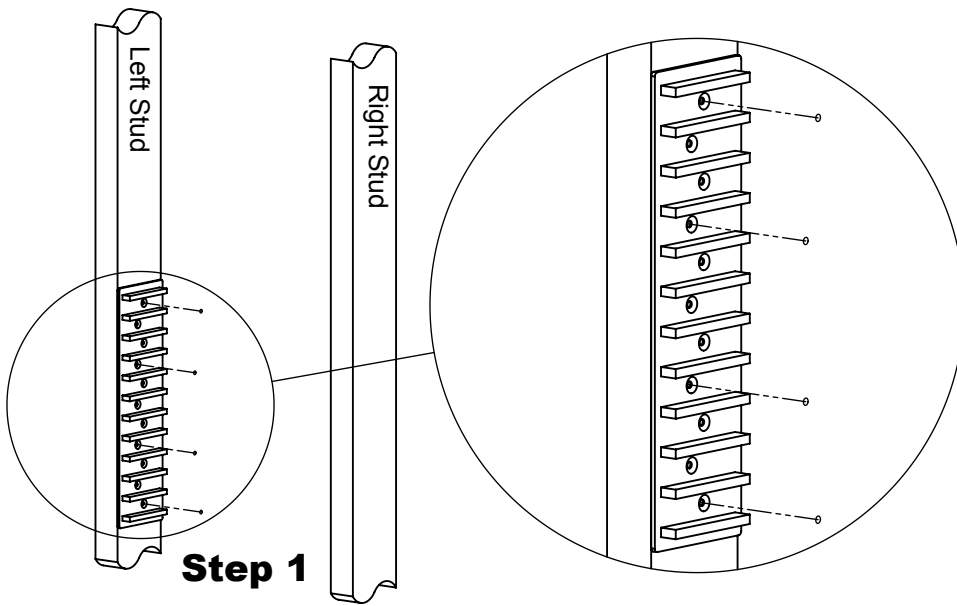
TIP- (optional) Position bottom of frame 8" off floor.
This allows enough room to vacuum under shelving

3. Position frame on drywall (Fig 2).

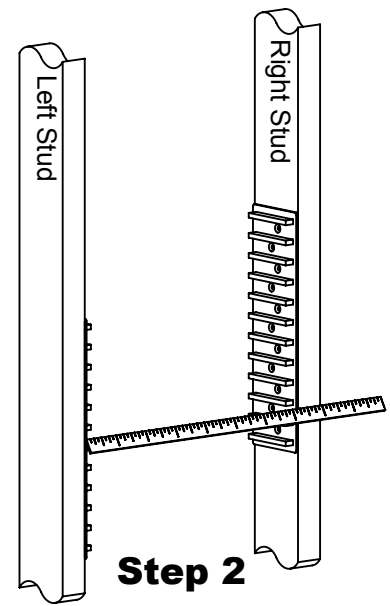
4. Insert 5/16" x 6" RSS Structural Screw. After first Screw is attached, level frame and repeat step 4 for other stud locations.

5. Attach E-Z Stud Racks per instructions on sheet 2.

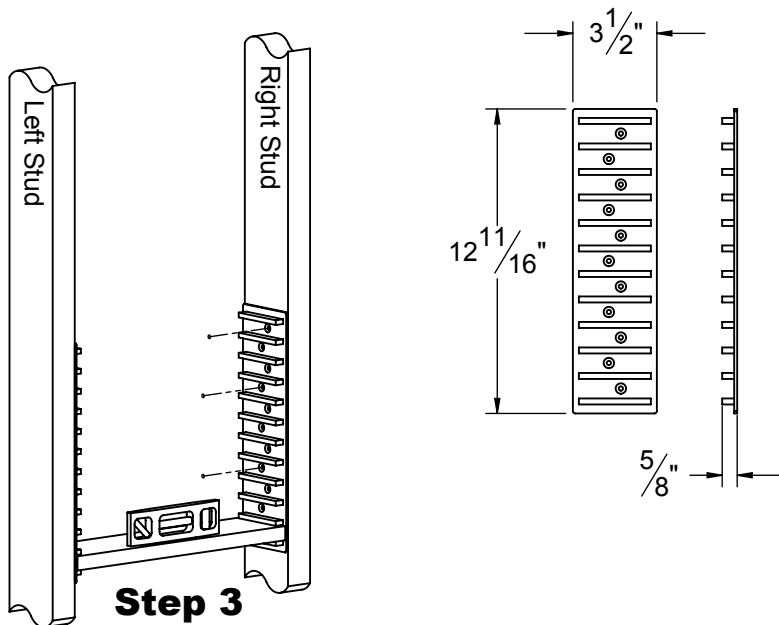
EZStudRack 5 Minute Installation



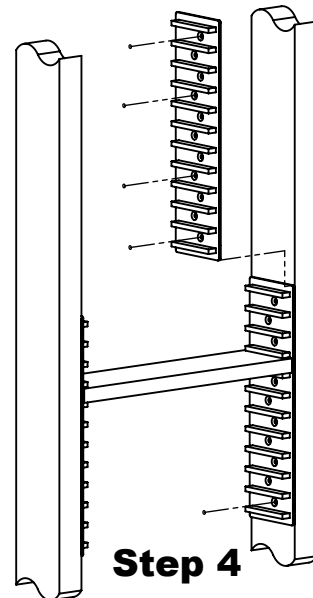
1. Attach first EZStudRack with 4 supplied screws.



2. While holding second EZStudRack in place measure distance.
3. Cut shelf to fit.



4. Insert shelf into lower slots.
5. Adjust second EZStudRack until shelf is level.
6. Attach supplied screws.



7. Move shelf and attach bottom screw.
8. Position more EZStudRacks and repeat Step 1.

WARNING! 45 LB. LIMIT PER SHELF WHEN USING SHELVES LESS THAN 8 INCHES DEEP.

The ultimate weight limits imposed on the shelf are directly related to the quality of your studs, shelves and the size and number of the mounting screws used (we include four- 1 inch #6 Phillips Flathead screws). The EZStudRack, by design, has been tested to hold over 100 pounds of weight using a 1x6 between studs.